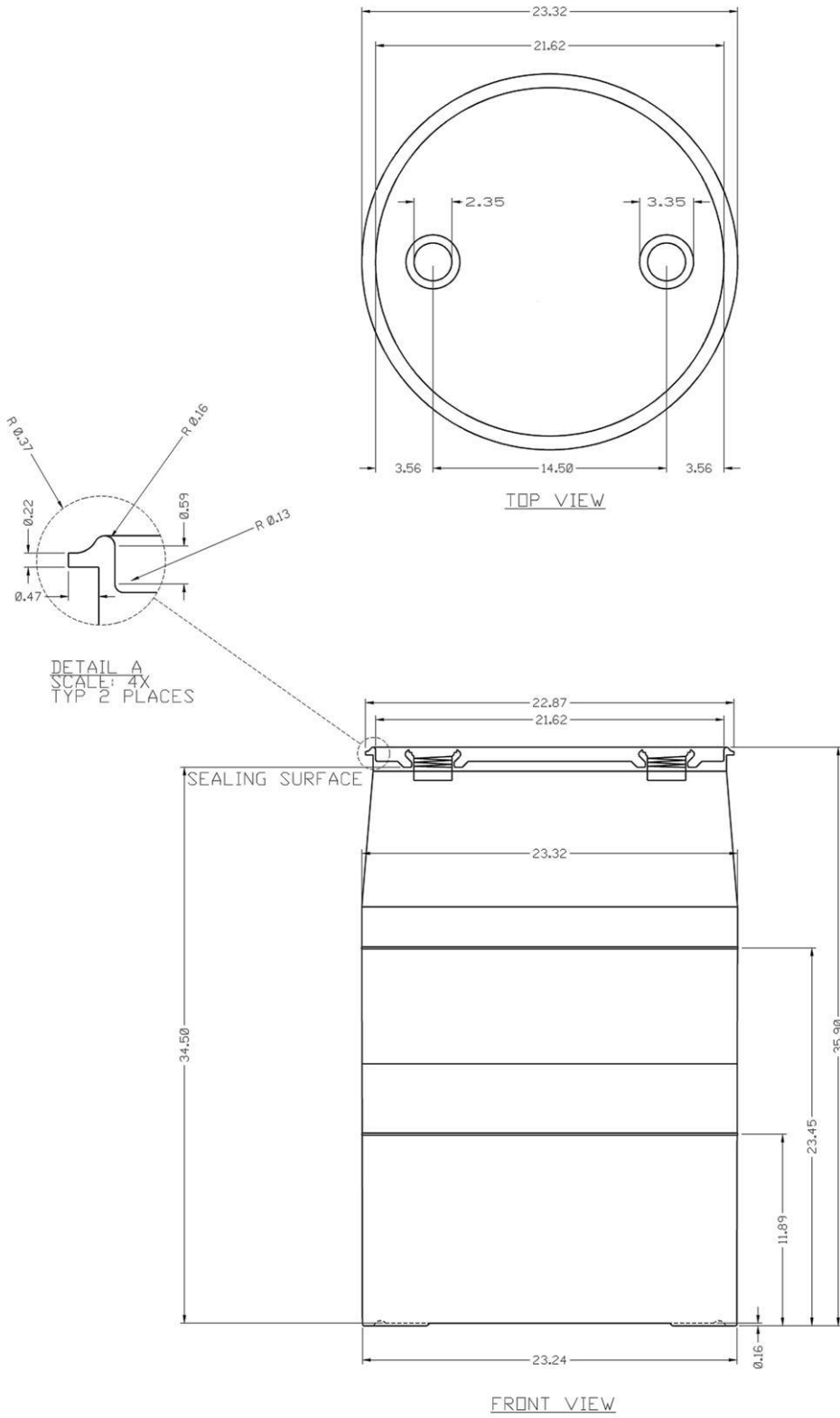




400 West Dussel Drive
Maumee, Ohio, 43537
Tel: 419.897.9110
Fax: 419.897.9112

ELCO DETREX Drum Description and Specifications
U.S. Coexcell part: IC-BLK-0002
U.S. Coexcell – Ultra Clean – 3 Layer Coextruded HDPE Tight Head
IC55 One Piece Drum

Parameter	Requirements
Drum Description	U.S. Coexcell Inc. IC55 Drum
UN/DOT Certification Mark	1H1/Y1.9/150/xx
Capacity	55 US Gallons (Overflow > 59 Gallons)
Bung Fittings	2 inch Buttress X 2 inch Buttress Rieke PPA-57-B-5-143 Plugs Poly Olefin O-Ring
Exterior Layer Material Color	HDPE w/ Additive Package Black
Center Layer Color	HDPE w/ Additive Package N/A
Interior (wetted surface) Color	Proprietary High Performance HDPE Resin Natural
Weight	23.8 +-
Particle Analysis	As Performed By U.S. Coexcell, Inc Liquid Particle Count Process
Particle Levels	<20 @ 0.50 μ per ml
Ultra Clean Reporting	Quarterly Particle Count Reports (upon request)
Specialty Items	One Plug Loose With Tape, Poly Bag over Drum
Dip Tube	Must Accept 35.25 inch (sealing surface to end) Dip Tube



U.S. Coexcell Inc. IC55 Dimensions